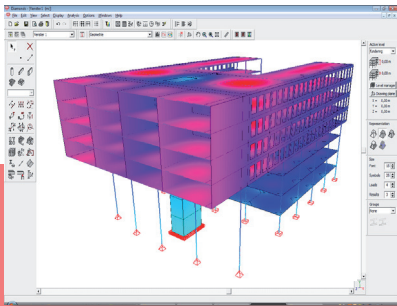




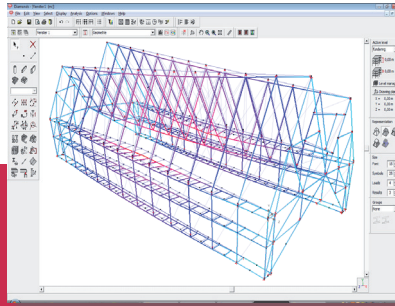
Diamonds

SOFTWARE FOR ANALYSIS OF
STEEL, CONCRETE AND TIMBER STRUCTURES



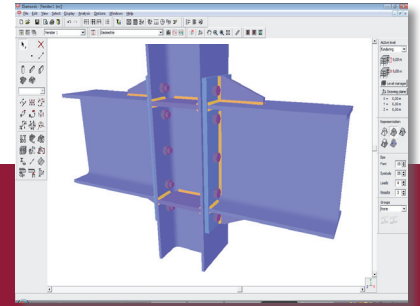
Reinforced concrete

Diamonds calculates the optimal reinforcement solution. This serves as a starting point for a practical reinforcement solution, which can then be used to calculate cracked deflections and crack width for bar and plate elements.



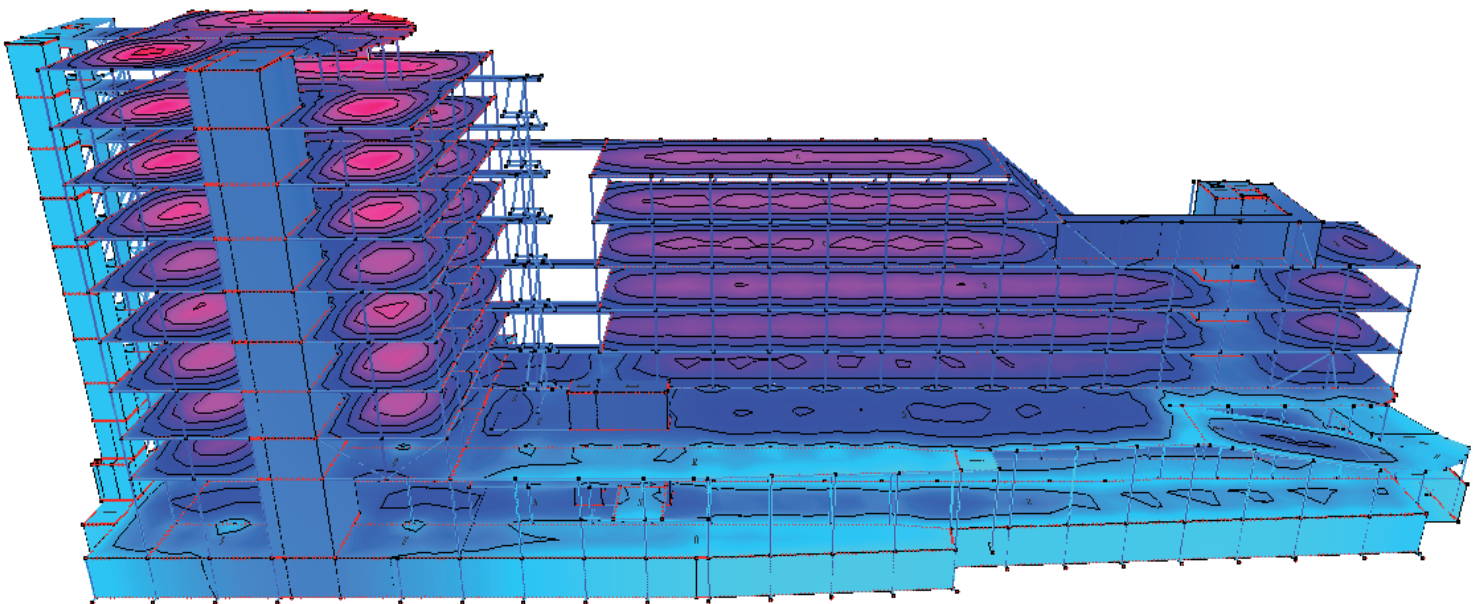
Steel and Timber

Steel and timber verifications take into account the appropriate cross-section classification. Buckling lengths and lateral torsional buckling support can be specified in no time. Based on these verifications Diamonds calculates the most optimal cross-sections.



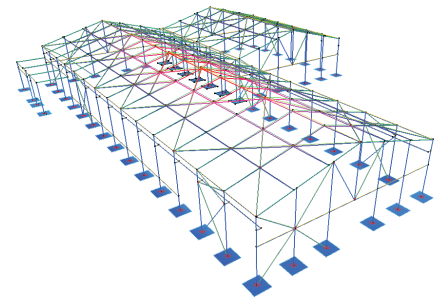
Connections

After selection of the nodes, the connection model is created. You can easily modify bolts, welds and stiffeners in order to select the most optimal solution. Finally, you return to the 2D or 3D analysis model.



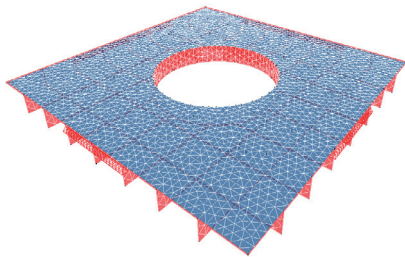
An engineer's best choice

Diamonds is an easy-to-use finite element software for the analysis and design of frames, beam grids, slabs, plates, rafts and complete 3D structures in steel, concrete and timber. Being a structural engineer, Diamonds will be your ideal tool to easily define model geometry, boundary conditions and loads, and finally analyse the in colors represented results.



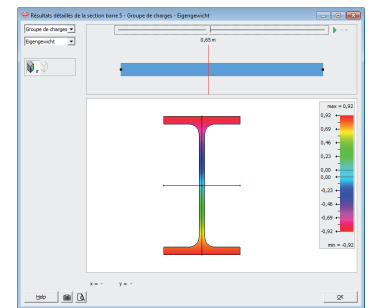
Increased efficiency

In spite of its power and completeness, the Diamonds software for structural design analysis is easy to use thanks to its intuitive user interface. The graphic input does not only mean an enormous save of time, but you also lower the risk of making mistakes, thanks to the permanent visual control over the model. Your learning curve is short – guaranteed, in no time you are up and running with Diamonds. You will soon be assessing the impact of specific design changes on structural behaviour and use the available analysis results to optimize the economy of your designs.



Flexible licenses

Our modular product concept enables you to optimally fit our products to your application needs. You pay only for what you really need – and you leave open all options to upgrade in future to a higher level of functionality, such as seismic or dynamic analysis, fire resistance analysis or moving loads. At BuildSoft, we give you a free choice to select the investment model that you consider to be most convenient: purchasing directly or spreading your expenses with the subscription or lease formula. A Diamonds license starts as low as 69€/month.



In figures

- **2000** customers use BuildSoft software in more than 50 different countries
- **25+** years of experience in structural design analysis and design codes
- **4000** BuildSoft licenses in use with customers
- **75%** of the customers have a maintenance or subscription contract
- **2200** student registrations every year for a free educational license

Our customers

- Engineering offices & consultants
- General contractors
- Construction companies
- Public organisations
- Universities & colleges

Try it yourself!
Download a 30 day
complete trial version!
[www.buildsoft.eu/
en/freetrial](http://www.buildsoft.eu/en/freetrial)

Diamonds is a BuildSoft product
Free 30-day trial version at www.buildsoft.eu/en/freetrial
For more information, please contact:

BuildSoft

Hundelgemsesteenweg 244-1
BE – 9820 Merelbeke
T +32 (0)9 252 66 28
info@buildsoft.eu
www.buildsoft.eu